

Fraction-optimised compaction



Optimum compaction and savings

Fraction-optimised compaction (FOC) means optimum pre-setting of the pressure settings depending on the fraction chosen (residual waste, organic waste, paper or plastic). In the fraction pre-setting menu, the relevant fraction can be selected using the appropriate function key or the navigation wheel.

Fraction selection means optimum compaction is predetermined. During the packing process, there is permanent monitoring of the system pressure. When the optimum pressure value is reached, the ejection plate is actively retracted until the pressure once more drops below the stored value. This enables maximum compaction, taking into account the relevant fraction, and achievement of the maximum payload.

FAUN ActiFit Air

Make full use of the permissible payload without any risk

FAUN ActiFit Air is an integrated weight indicator and compaction control program. This option gives you optimum

control over the vehicle load and ensures compliance with permissible axle loads. While the vehicle is out on collection, ActiFit Air monitors the axle loads and automatically moves the ejection plate if necessary. As soon as the set limit values are reached, compaction is stopped.

How ECO would you like it to be?

With FAUN, save cash while protecting the environment at the same time

FAUN gives you the choice. Our ECOPOWER options mean you can determine how comprehensively you want to optimise your refuse collection vehicle fleet in terms of reducing fuel consumption, particulate matter and nitrogen oxide, along with noise and CO₂ emissions.

(diesel-electric hybrid drive) you are relying on innovative and intelligent eco-systems, which are worthwhile both economically and ecologically.

In addition to the concrete benefits, such as up to 33 % lower fuel consumption and CO₂ emissions, you can reduce noise generation with the DUALPOWER option from a typical 106 dB(A) to as low as 90 dB(A).

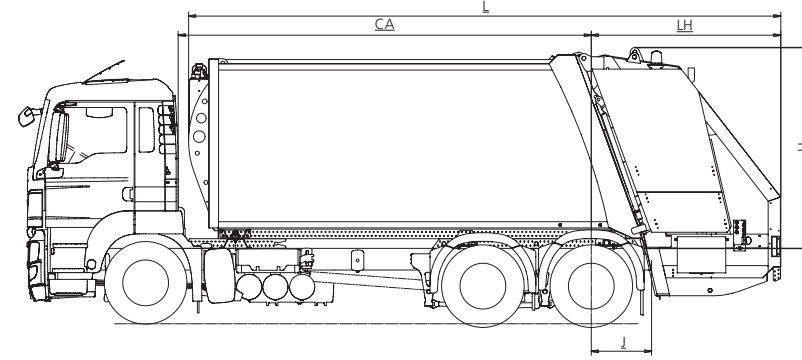
With our intelligent systems, **HYDROPOWER** (lifter with KERS hydraulic accumulator), **E-POWER** (battery set for electrical operation of the body and lifter) or **DUALPOWER**

In addition to providing the technical benefits mentioned above, these positive effects are also ideally suited to improving your image in the local authority environment.

ECOPOWER OPTIONS		Lifter	Body	Chassis	Fuel economy	Noise emission reduction	CO ₂ emissions reduction
HYDROPOWER	Hydraulic energy recovery	x			ø 14 %	+	ø 14 %
E-POWER	Battery plug-in	x	x		ø 20 %	+	ø 5 - 20 % ⁽¹⁾
DUALPOWER	Diesel-electric hybrid drive	x	x	x	ø 33 %	+++	ø 33 %

Real values may vary depending on the operating conditions.
⁽¹⁾ depending on the energy mix of the battery

POWERPRESS Technical Data



BODY	518	520	522	524	525	530
Body volume [m ³]	18	20	22	24	25	30
Weight approx. [kg] ⁽¹⁾	6,520	6,710	6,830	6,910	6,940	7,320
Length (L) approx. [mm]	6,145	6,745	7,145	7,375	7,495	8,695
Width (W) approx. [mm]	2,550	2,550	2,550	2,550	2,550	2,550
Height (H) approx. [mm] ⁽¹⁾	2,500	2,500	2,500	2,500	2,500	2,500
CHASSIS RECOMMENDATION ⁽²⁾						
Gross vehicle weight [t]	18	26	26	26	26	32
Weight approx. [kg] ⁽¹⁾	6,500	7,500	8,000	8,000	8,000	9,500
Wheelbase for standard driver's cab (R) approx. [mm]	4,200	3,450/1,350	3,900/1,350	4,200/1,350	4,500/1,350	3,950/1,450/1,350
Frame overhang (J) [mm]	650	650	650	650	650	650
WHOLE VEHICLE EXAMPLE ⁽²⁾						
Height, unladen, for approx. 1,000 mm high chassis	3,500	3,500	3,500	3,500	3,500	3,500
Height in discharge position approx. [mm]	5,390	5,390	5,390	5,390	5,390	5,390
Overall length without lifting and tipping system approx. [mm]	9,000	9,200	9,300	9,400	9,500	10,500
Overhang (LH) [mm] ⁽³⁾	2,360	2,360	2,360	2,360	2,360	2,360
Weight approx. [kg]	13,020	14,210	14,830	14,910	14,940	16,820
Payload approx. [kg] ⁽⁴⁾	4,980	11,790	11,170	11,090	11,060	15,180

⁽¹⁾ including auxiliary frame (acc. to DIN 70020)

⁽²⁾ Variations possible, depending on chassis make and optional equipment

⁽³⁾ Measurement from centre of rearmost axle to rear edge of tailgate without lifter, variations possible depending on chassis type

⁽⁴⁾ Fitting a lifting and tipping system and special equipment to chassis and body, along with accessories, will reduce the permissible payload. Achievable payload may vary depending on the collected material and chassis



FAUN Umwelttechnik GmbH & Co. KG
Feldhorst 4
27711 Osterholz-Scharmbeck
GERMANY
Tel. +49 47 95 9 55-0
Fax +49 47 95 9 55-200
info@FAUN.com

www.FAUN.com



REFUSE COLLECTION VEHICLES

NEW GENERATION

- ⊕ Powerful
- ⊕ Robust
- ⊕ Versatile
- ⊕ Durable

POWERPRESS

RELIABLE
PROGRESSIVE

FAUN
KIRCHHOFF GROUP

The expert when it comes to difficult situations

The POWERPRESS is the right solution wherever the most demanding requirements have to be met. Because the POWERPRESS is not just the all-round collection vehicle for all containers up to 10 m³ and for all fractions, including bulky waste.

The POWERPRESS range

The right POWERPRESS for every application: 2-axle chassis with 18 m³, along with 3- and 4-axle chassis with 20 to 30 m³ form the basis for application-oriented classification that can be perfectly tailored to your use.

The POWERPRESS comes with open tailgate, with DIN interface frames or with an integrated bin lifter. The extremely low rave rail, the low dead weight and the short overhang for the size of the tailgate make FAUN's POWERPRESS a particularly worthwhile investment.

Its proven reliability and the low maintenance costs make sure that any downtimes needed for servicing are kept to a minimum with the POWERPRESS. Fewer lubricating points, long oil and filter replacement intervals, along with easily accessible units, make the POWERPRESS maintenance friendly.

It is also systematically designed to cope with the highest possible loads. Top quality materials and workmanship, sophisticated technology, state-of-the-art compaction mechanism and task-oriented design all add up to a progressive overall concept with the POWERPRESS.

Our strength – dialogue with the customer

Close liaison with our customers all over the world enables us to provide customised vehicles for every waste disposal task. No matter what your plans are: our huge range of different waste disposal vehicles means FAUN can always provide you with appropriate and therefore economic solutions.

Our customers particularly value the broad-based after sales support. You can get original spare parts directly from our spare parts service within 24 hours.

FAUN's services provide you with tailored financing options for your vehicle fleet: irrespective of whether you have a hire or leasing contract. You get everything directly from the manufacturer. Regular maintenance and inspections are also all part of the comprehensive FAUN service.

1

Large-scale collector

With its extremely low rave rail and very large hopper, the POWERPRESS has no difficulty collecting bulky refuse on a large scale, along with materials from all containers up to 10 m³. The optional adapter means the POWERPRESS also offers the standard 6 point attachment for lifting and tipping systems.

2

Pre-compaction in the tailgate

Optimum pre-crushing and pre-compaction for every loading operation: the waste is pressed, crushed and pre-compacted against a wear plate in the hopper. The sophisticated kinematics mean the large forces are retained within the hopper and there is no need for them to be exerted on the overhang of the compaction mechanism and the locking mechanism: less wear – longer service life.

3

Ideas for load distribution

There is the best possible load distribution with the POWERPRESS: the rod guide in the compaction mechanism enables a very short overhang, despite the large hopper – this gives great manoeuvrability and optimum axle load distribution.

4

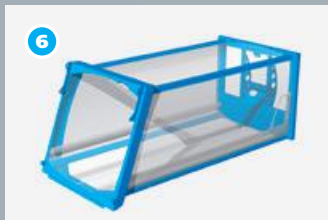
Extremely resilient

Quality that pays: the loading and packing technology in the POWERPRESS is considered to be a benchmark by experts. Hard-wearing power links for the carrier and packer plates, high-tensile steel and full penetration welding – strong arguments for long-term durability.

5

Adjustable counter-pressure

The double-acting telescopic cylinder on the ejection plate enables adjustment of the counter-pressure. This means compaction can be adjusted or completely switched off, depending on the type of waste.



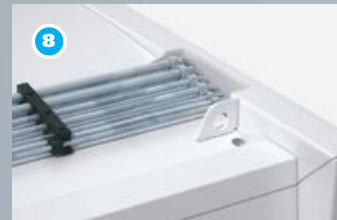
The new body

The new body is ideally suited for displaying advertising with its smooth side wall. In addition, the new cell is 250 kg lighter than the previous model for the same volume.



Precision through roll forming

Roll-formed profiles in the corners of the body and on the guide rail for the ejection plate enable us to achieve higher precision. In comparison to the old body, the guide rail is no longer in the floor area. The radius in the floor area enables optimum loading and results in an increased level of cleanliness for the cell.



Protected hydraulic lines

The hydraulic pipes on the roof are protected by the frame against damage from branches.



Greater volume

The ejection plate is designed so that it can be brought really close up to the driver's cab in its frontmost position. This gives large volumes and high payload with a short wheelbase. Thanks to the standard series production sealing of the ejection plate to the body wall, to the floor and to the top, fewer residues are left in the body.



Everything to hand

All the control functions in a compact operating unit at the rear: this means staff have everything in sight and everything to hand – a crucial contribution to health and safety at work.



Operating modes

There is a choice of 4 operating modes:

- Continuous operation,
- Single-cycle operation (the operation stops in discharge position after one cycle),
- Individual switching for each step,
- Semi-automatic (completes the cycle automatically, once the shearing point has been passed).



Integrated tailgate operation

The "Close tailgate" buttons are integrated into the body.



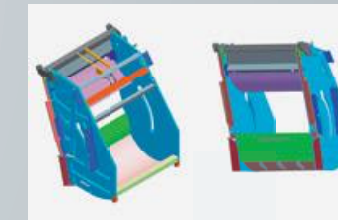
Universal mounting frame

The universal mounting frame enables simple assembly of the body. The galvanised mounting frame can be installed onto any chassis without any specific modifications.



Bin lifter for skips

The POWERPRESS has no difficulty accommodating a really wide range of containers. Waste containers with hinged lids in U 2.5 and U 5 versions can be emptied using the automatic lid opener.



Long service life

Particularly high forces are exerted right in the tailgate. Highly wear-resistant steel and strong sheet thicknesses are used here for a longer service life.



Precise production

FAUN focuses on quality. All components are shot blasted and robot-welded.



FAUN CONTROL SYSTEM (FCS)

The POWERPRESS is also equipped with the FAUN CONTROL SYSTEM (FCS) which offers an extensive range of functions and maximum reliability with its CANBus controller.